

DLT-V7210 K

DLT-V7210 KD

Rugged, X86-Based Vehicle-Mounted Terminal with Integrated Keyboard



Features

- 10.1" widescreen WXGA color TFT display with 1280 x 800 resolution and 500 cd/m² brightness
- Intel® Atom® E3845 quad-core, 1.91 GHz, with 4 GB RAM
- Optional PCT defroster, ideal for cold chain and cold storage applications
- IK08-certified touchscreen for impact tolerance and abrasion resistance
- Full IP65 rating for protection from water and dust ingress
- 5M3 certification for shock and vibration tolerance
- Wide operating temperature range (-30 ~ 50 °C/-22 ~ 122 °F) to withstand extreme environments
- Integrated keyboard for convenient operation
- Optional uninterruptible power supply
- Supports Windows, Linux, and Android OS
- Certified with SOTI and Navis N4 software
- Equipped with DeviceOn/iService software for remote device management

DeviceOn/iService

Introduction

DLT-V7210 K series is a rugged vehicle-mounted terminal with integrated keyboard designed for logistics applications and to provide maximum system uptime. Powered by an Intel® Atom® E3845 quad-core, 1.91 GHz, processor with 4 GB RAM, DLT-V7210 K series supports a wide operating temperature range (-30 ~ 50 °C/-22 ~ 122 °F) to withstand operation in extreme industrial environments. DLT-V7210 KD also offers PCT defroster, which is ideal for cold chain and cold storage applications. The low-profile antenna offers excellent transmission capabilities in a compact form factor. Furthermore, the integrated user-friendly keyboard offers convenient operation and efficient data input. Meanwhile, the 10.1" widescreen WXGA color TFT display with touch control allows easy input and configurable touch sensitivity ensures easy operation with gloves.

Moreover, DLT-V7210 K series is equipped with Advantech's DeviceOn/iService software, which is a next-generation unified device management solution based on the WISE-DeviceOn platform. With support for batch operations and multi-device control, DeviceOn/iService enables easy device configuration and deployment for convenient remote device management.

Specifications

System	CPU	Intel® Atom® E3845 quad-core, 1.91 GHz, with 4 GB RAM
	Storage	16 GB - 256 GB CFast
Dimensions (W x H x D)	297.3 x 264.7 x 80 mm (11.7 x 10.42 x 3.15 in)	
Weight	3.7 kg (8.2 lb) without battery pack/accessories	
Housing	Coated aluminum with completely sealed, fanless design	
Display	10.1" widescreen WXGA color TFT display with 1280 x 800 resolution and 500 cd/m ² brightness	
Touchscreen	Type	Sunlight-readable PCT multi touchscreen with optional defroster function (touch sensitivity configurable for glove operation)
	Front Panel	12 x control buttons (6 of which are programmable)
Control Buttons/Keyboard	Keyboard	Full-size keyboard (55 keys) with number pad, illuminated keys, and changeable silicon mat; Supports on-site replacement Keyboard versions: DLT-V7210K(QWERTY,QWERTZ,AZERTY); DLT-V7210KD(QWERTY)
	Operating System	Windows 10 IoT Enterprise, Windows 7 Pro, WES7, Debian-based Linux, IGEL Linux, Android 9
Communication	Emulations (Third-Party)	VT100, VT220, IBM 5250, TN 3270, Citrix Client®
	WLAN	WLAN IEEE 802.11 a/b/g/n/ac (optional)
	WWAN	WWAN (LTE, UMTS, HSPA+, GSM, GPRS, EDGE) (optional)
	LAN	Ethernet 10/100/1000 Mbit/s
	WPAN	Bluetooth 5.0 (optional)
I/O Interfaces	Serial	2 x RS-232, COM1 with switchable 5 V _{DC} /RI
	USB	4 x USB 2.0 (Hi-Speed™) bootable, 1 x service USB 3.0 (Super-Speed™)
	External Antennas	1 x RSMA for WLAN, 1 x SMA for WWAN (optional)
Sensors	Accelerometer, Gyro (optional)	
Audio	1 x integrated speaker	
Power Supply (Internal)	12/24/48 V _{DC} nominal voltage with automatic Power On/Off function via vehicle ignition and optional uninterruptible power supply (20 minutes typical); battery life may vary according to load	
Environmental	IP Rating	IP65 rating for the entire system
	Operating Temperature	-30 ~ 50 °C (-22 ~ 122 °F)
	Relative Humidity	10 to 90% at 40 °C (104 °F), non-condensing
	Shock/Vibration	5M3 (EN 60721-3-5) and MIL-STD 810F (US highway truck vibration exposure)
Certification	Touchscreen Durability	IK 08
	CE Immunity Class A, Emission Class B/FCC Class B (for EU and USA), CCC (for China)	

Specifications Cont.

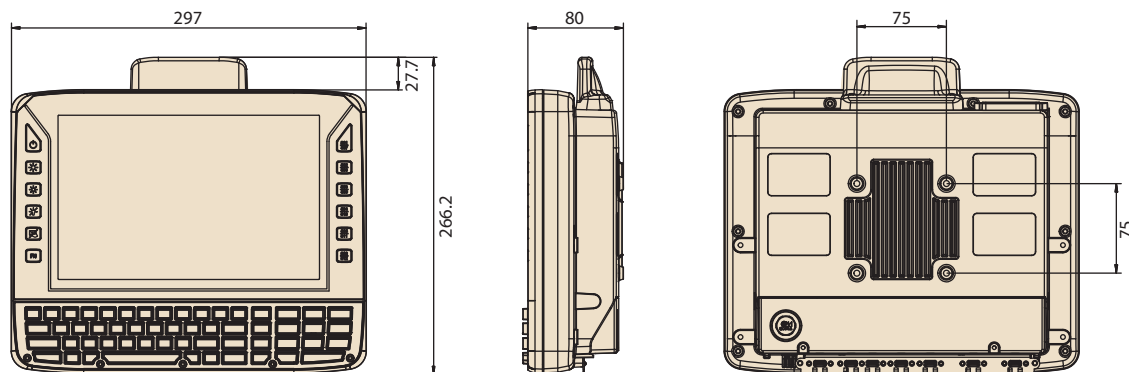
DeviceOn/iService Remote Device Management	Operating System	Windows 10	Android 9
	Common Controls (Reboot, Shutdown)	✓	✓
	Remote desktop	✓ (VNC)	✓ (VNC)
	Device-Specific Audio Control	✓	✓
	Connection Status	✓	✓
	Hardware Status	✓*	✓*
	Hard Disk Status	✓*	
	Batch Operation Support	✓	✓
	OTA Storage Management	FTP	Local blob
	OTA Software Application Update	✓	✓
	Software Watchlist	✓	✓
	Software Start/Stop	✓*	✓
	Kiosk Mode		✓
	Peripherals Watchlist	✓*	✓*

*Dependant on device model

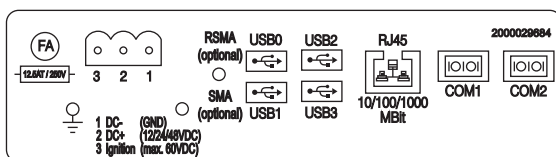
Note: DeviceOn/iService software must be downloaded from the Advantech website at <https://www.advantech.com/search/?q=DeviceOn%2FiService&st=support&sst=Utility>

Dimensions

Unit: mm

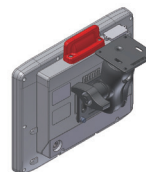


I/O Connectors

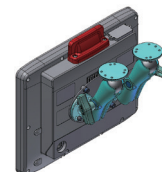


Mount Kit Options

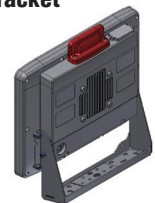
RAM-Mount Set (one arm)



RAM-Mount Set (two arms)



Mobile Mounting Bracket



Optional Accessories

Part Number	Description
DL-MTK009	Mounting bracket mobile
DL-MTRM004	RAM-Mount Set, one arm, arm length 130mm
DL-MTRM003	RAM-Mount Set, one arm, arm length 215mm
DL-MTRM001	RAM-Mount Set, two arms, arm length 150mm

Further configurations on request!

DeviceOn/iService

Unified Remote Device Management Software



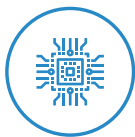
Features

- Supports Advantech devices equipped with Windows, Android, and Linux OS
- Flexible device, location, user, and permissions management
- Enables remote monitoring and control of hardware, software, and peripherals
- Supports over-the-air (OTA) firmware and software updates
- Ensures quick, easy, and secure device onboarding
- RESTful APIs for third-party system integration

Introduction

Advantech's DeviceOn/iService is a next-generation unified device management solution based on the WISE-DeviceOn platform. Designed to enable centralized monitoring and remote management, DeviceOn/iService supports Advantech devices equipped with Windows, Linux, or Android operating systems. The software also supports the management of applications and integrated peripherals, such as a barcode scanner, card reader, camera, and printer. Users can remotely access and control connected devices, take screenshots, rollout OTA upgrades, and use remote desktop capabilities for troubleshooting from any location at any time. Moreover, DeviceOn/iService supports batch operations to facilitate the management of multiple devices simultaneously for easy and convenient device configuration and deployment.

Total Management



Devices & Hardware

- Windows, Linux, Android
- Hardware, storage, battery



Software & Peripherals

- Software monitoring & access
- Screens, USB devices, printers



Open for Expansion

- Peripheral integration
- Open APIs for integration

Remote Access



Real-Time Monitoring

- Connection/hardware status
- Software/peripheral status
- Failure notifications



Remote Controls

- Power controls
- Audio, backlight controls
- Software controls



Troubleshooting

- Screenshots
- Remote desktop support

Operational Efficiency



OTA updates

- System/software updates
- File repository management
- App store



Batch Controls

- 1-to-many batch reboot, etc.
- Time-saving tasks



Setup Booster

- Software/peripheral watchlist
- Roles, rule templates

Note: Some functions may vary according to the product

System Architecture

